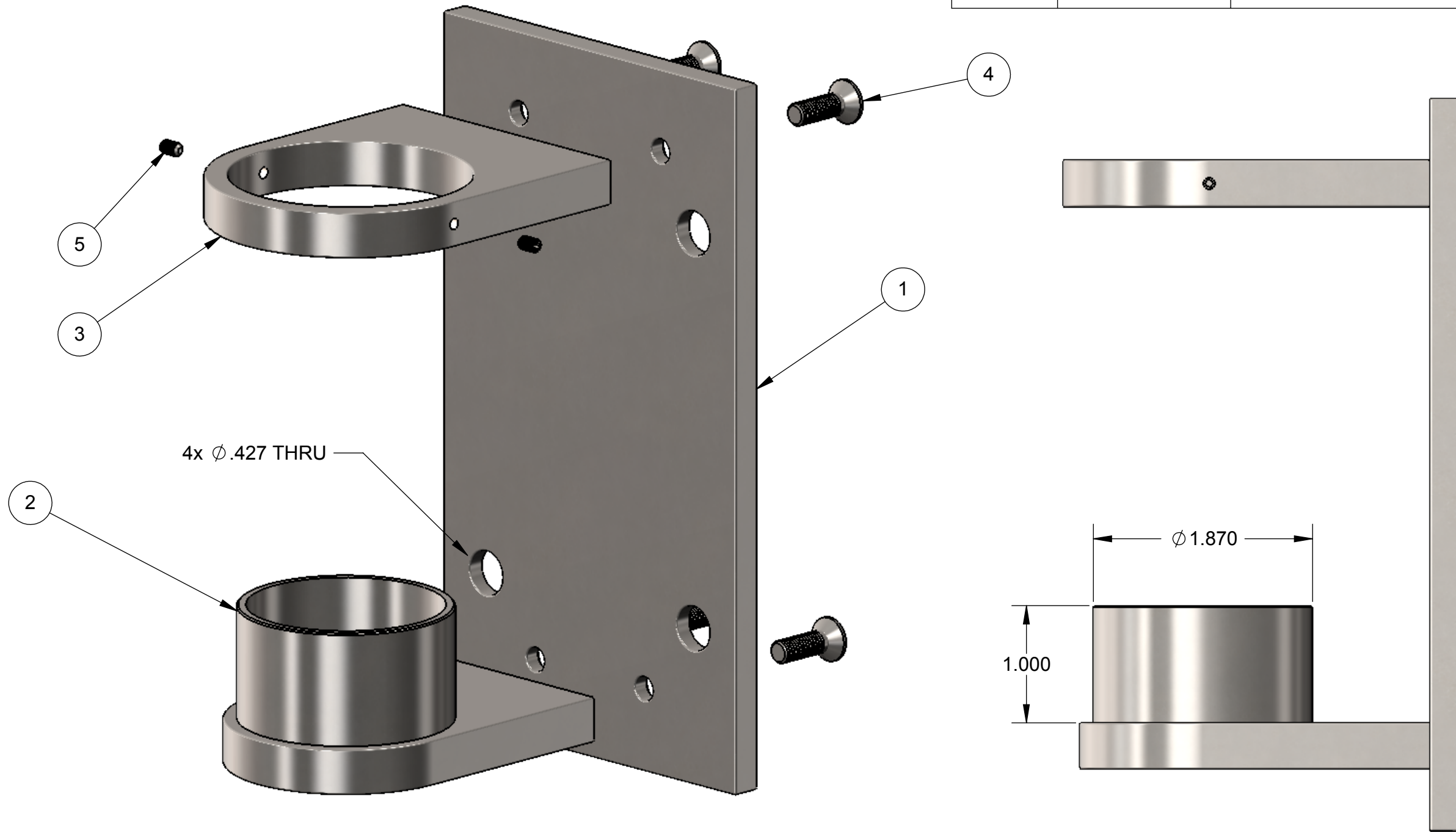


ITEM NO.	PART NUMBER	DESCRIPTION	QTY.	MATERIAL TYPE
1	05-310-01	Plate - Stainless 2" Fascia Bracket	1	316 SS
2	05-310-02	Base - Stainless 2" Fascia Bracket	1	316 SS
3	05-310-03	Retainer Ring - Stainless 2" Fascia Bracket	1	316 SS
4		M5 x 0.8 x 16mm FHSCS	4	
5		M3 x 0.5 x 5mm Set Screw	2	



**NOTES: UNLESS OTHERWISE SPECIFIED**

1. DIMENSIONS ARE IN INCHES (MM).
2. MACHINED SURFACES TO BE 63  $\mu$ IN MAX.
3. DO NOT SCALE DRAWING.
4. PART TO BE FREE OF BURRS AND SHARP EDGES.
5. ALL MATERIAL TO BE CLEAN, DEGREASED AND FREE OF ALL IMPURITIES.
6. ANY CHANGE MUST BE AUTHORIZED BY AN SC&R ENGINEER.

MATERIAL TYPE: See BOM

VENDOR ID:

REV	DATE	DESCRIPTION OF CHANGE	ECN	BY	APPR
<b>REVISIONS</b>					
		TOLERANCES .XX $\pm$ .01 .XXX $\pm$ .005 ANGULAR $\pm$ 0.5° FRACTIONAL $\pm$ 1/32 <small>UNLESS OTHERWISE SPECIFIED</small>	<small>THIS DRAWING IS THE PROPERTY OF STAINLESS CABLE &amp; RAILING AND IS PROTECTED UNDER COPYRIGHT LAW AS AN UNPUBLISHED WORK. IT MAY NOT BE PUBLISHED, COPIED, OR REPRODUCED WITHOUT EXPRESS WRITTEN PERMISSION FROM SC&amp;R.</small>		
DRAWN BY: GM DATE: 1/11/2011 PROJECT:		TITLE: <b>Stainless Fascia Bracket ASM</b> DWG NO.: <b>05-310-00-ASM</b>		<b>SHEET 1 OF 1</b>	