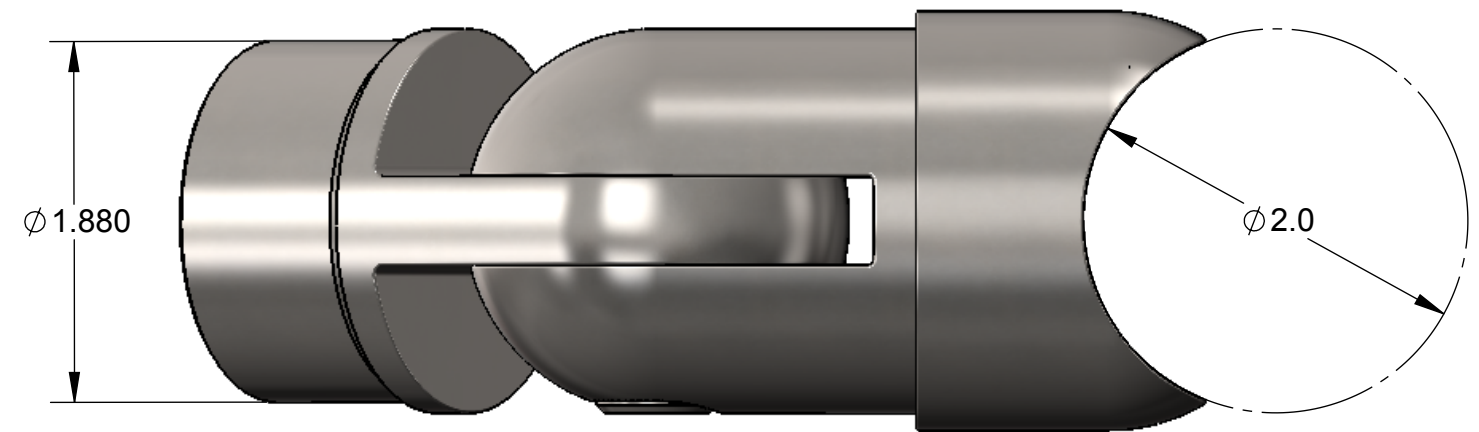
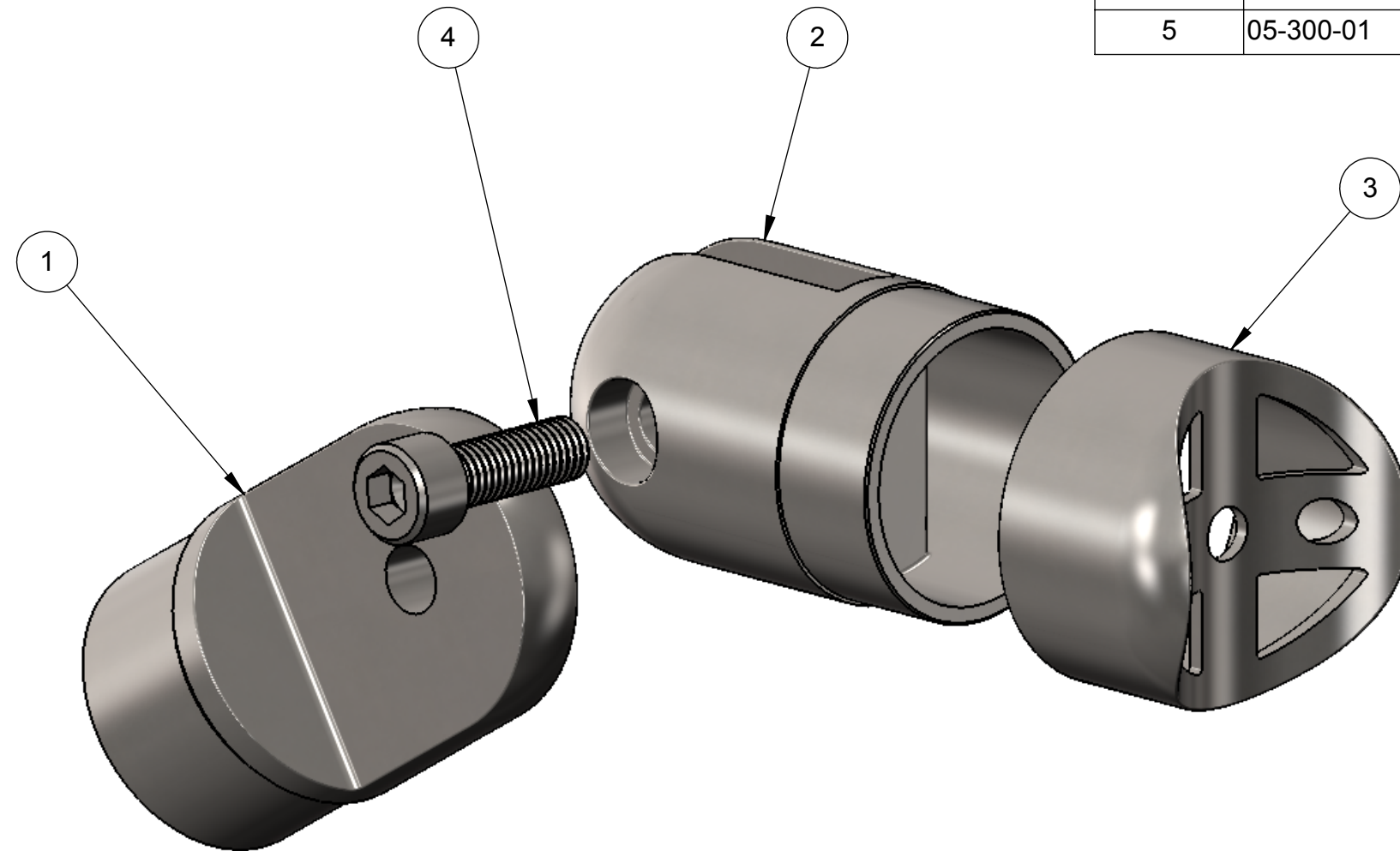


ITEM NO.	PART NUMBER	DESCRIPTION	QTY.	MATERIAL TYPE
1	05-280-01	Base - Stainless 2" Adjustable Elbow	1	316 SS
2	05-290-02	Sleeve - Stainless 2" Adjustable Top Rail / Post Connector	1	316 SS
3	05-290-01	Cradle - Stainless 2" Adjustable Top Rail / Post Connector	1	316 SS
4		M10 x 1.5 x 30 SHCS	1	
5	05-300-01	2" Stainless Tubing	2	316 SS



TOP VIEW

**NOTES: UNLESS OTHERWISE SPECIFIED**

- DIMENSIONS ARE IN INCHES (MM).
- MACHINED SURFACES TO BE 63  $\mu$ IN MAX.
- DO NOT SCALE DRAWING.
- PART TO BE FREE OF BURRS AND SHARP EDGES.
- ALL MATERIAL TO BE CLEAN, DEGREASED AND FREE OF ALL IMPURITIES.
- ANY CHANGE MUST BE AUTHORIZED BY AN SC&R ENGINEER.

MATERIAL TYPE: See BOM

VENDOR ID:

REV	DATE	DESCRIPTION OF CHANGE	ECN	BY	APPR
<b>REVISIONS</b>					
		TOLERANCES .XX $\pm$ .01 .XXX $\pm$ .005 ANGULAR $\pm$ 0.5° FRACTIONAL $\pm$ 1/32 <small>UNLESS OTHERWISE SPECIFIED</small>	<small>THIS DRAWING IS THE PROPERTY OF STAINLESS CABLE &amp; RAILING AND IS PROTECTED UNDER COPYRIGHT LAW AS AN UNPUBLISHED WORK. IT MAY NOT BE PUBLISHED, COPIED, OR REPRODUCED WITHOUT EXPRESS WRITTEN PERMISSION FROM SC&amp;R.</small>		
DRAWN BY: GM		DATE: 1/11/2011	PROJECT:		
		TITLE: <b>Stainless 2" Adjustable Top Rail / Post Connector ASM</b>			DWG NO.: <b>05-290-00-ASM</b>
					SHEET 1 OF 1