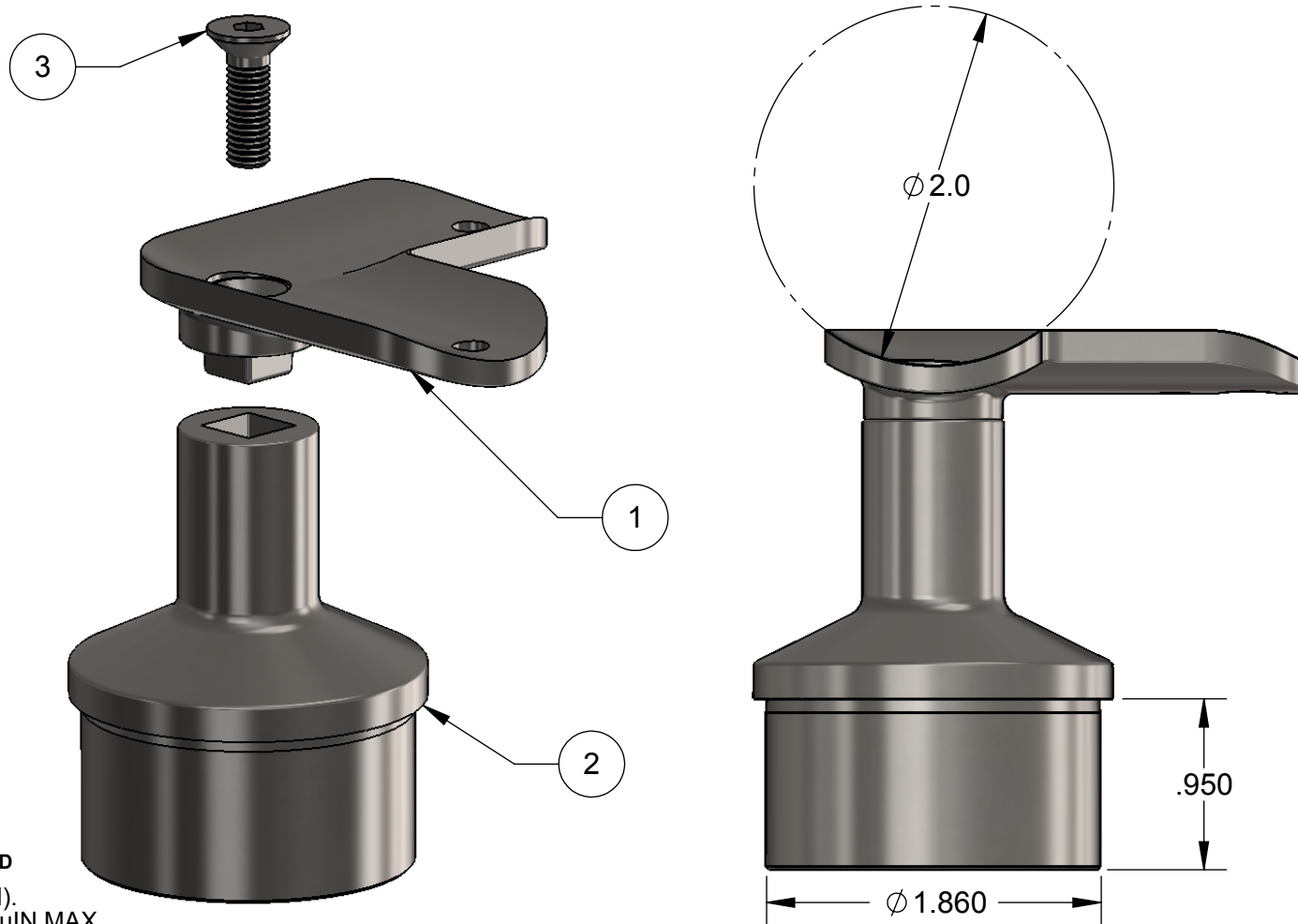


ITEM NO.	PART NUMBER	DESCRIPTION	QTY.	MATERIAL TYPE
1	05-220-01	Base - Stainless 2" 90° Post Cap (Radius Saddle)	1	316 SS
2	05-220-02	Cup - Stainless 2" 90° Post Cap (Radius Saddle)	1	316 SS
3		M6 x 1.0 x 20mm FHSCS	1	



**NOTES: UNLESS OTHERWISE SPECIFIED**

1. DIMENSIONS ARE IN INCHES (MM).
2. MACHINED SURFACES TO BE 63 μIN MAX.
3. DO NOT SCALE DRAWING.
4. PART TO BE FREE OF BURRS AND SHARP EDGES.
5. ALL MATERIAL TO BE CLEAN, DEGREASED AND FREE OF ALL IMPURITIES.
6. ANY CHANGE MUST BE AUTHORIZED BY AN SC&R ENGINEER.

MATERIAL TYPE: See BOM

VENDOR ID:

REV	DATE	DESCRIPTION OF CHANGE	ECN	BY	APPR
<b>REVISIONS</b>					
		TOLERANCES UNLESS OTHERWISE SPECIFIED .XX ±.01 .XXX ±.005 ANGULAR ±0.5° FRACTIONAL ±1/32	THIS DRAWING IS THE PROPERTY OF STAINLESS CABLE & RAILING AND IS PROTECTED UNDER COPYRIGHT LAW AS AN UNPUBLISHED WORK. IT MAY NOT BE PUBLISHED, COPIED, OR REPRODUCED WITHOUT EXPRESS WRITTEN PERMISSION FROM SC&R.		
DRAWN BY: GM		DATE: 1/9/2011	PROJECT:		TITLE: Stainless 2" 90° Post Cap ASM (Radius Saddle)
DWG NO.: 05-220-00-ASM				SHEET 1 OF 1	