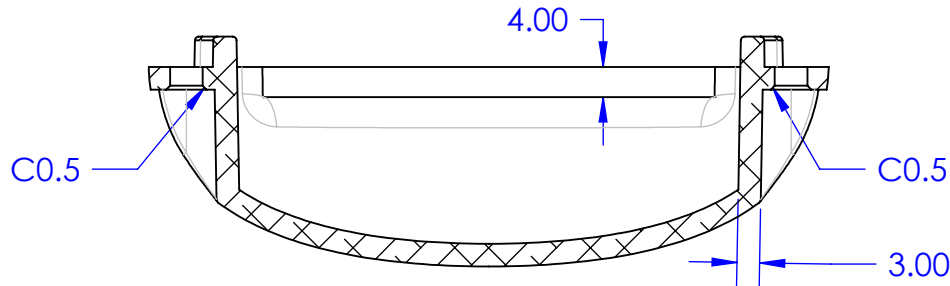
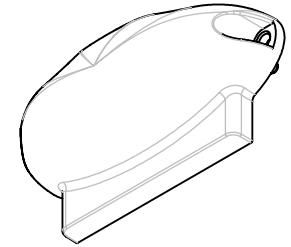
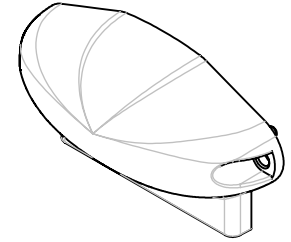
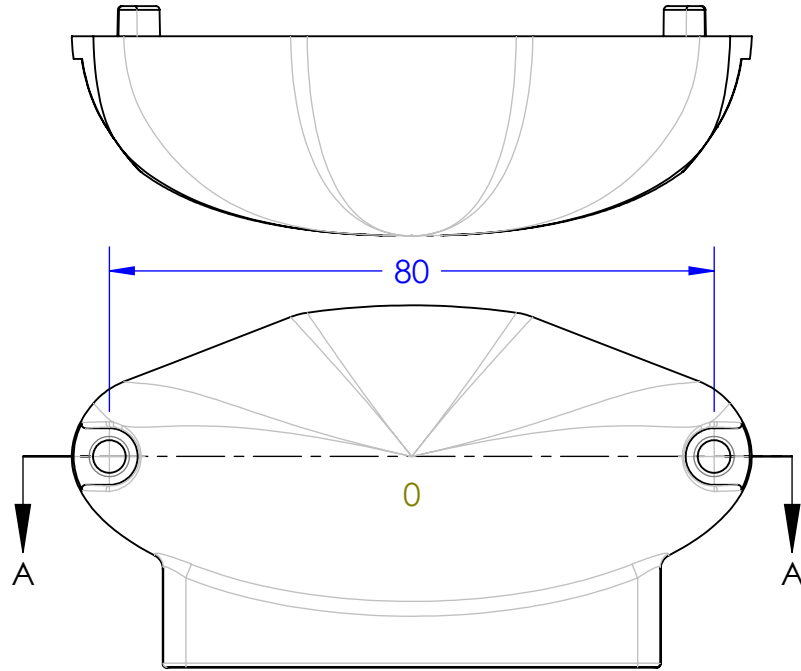
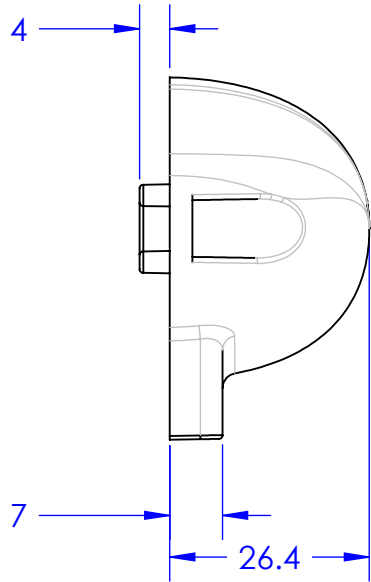


03-003-01

DWG. NO.



**SECTION A-A**

**PROPRIETARY AND CONFIDENTIAL**  
 THE INFORMATION CONTAINED IN THIS DRAWING IS THE SOLE PROPERTY OF STAINLESS CABLE & RAILING, INC. ANY REPRODUCTION IN PART OR AS A WHOLE WITHOUT THE WRITTEN PERMISSION OF STAINLESS CABLE & RAILING, INC. IS PROHIBITED.

		UNLESS OTHERWISE SPECIFIED: DIMENSIONS ARE IN Millimeters	NAME	DATE
		TOLERANCES: x = 0.1 x.x = 0.1 x.xx = 0.01 x.xxx = 0.005	GM	05/17/08
		INTERPRET GEOMETRIC TOLERANCING PER:		
		MATERIAL 6061 T6 Alum		
		FINISH Powdercoat		
NEXT ASSY	USED ON		COMMENTS: Powdercoating to meet or exceed AAMA2604 Salt Spray Resistance	
APPLICATION		DO NOT SCALE DRAWING		

Stainless Cable & Railing, Inc. 888-686-7245 (RAIL)		
TITLE: Elliptical Rail End Cap		
SIZE <b>A</b>	DWG. NO. <b>03-003-01</b>	REV <b>PR2</b>
SCALE: 1:1	WEIGHT:	SHEET 1 OF 1

5

4

3

2

1