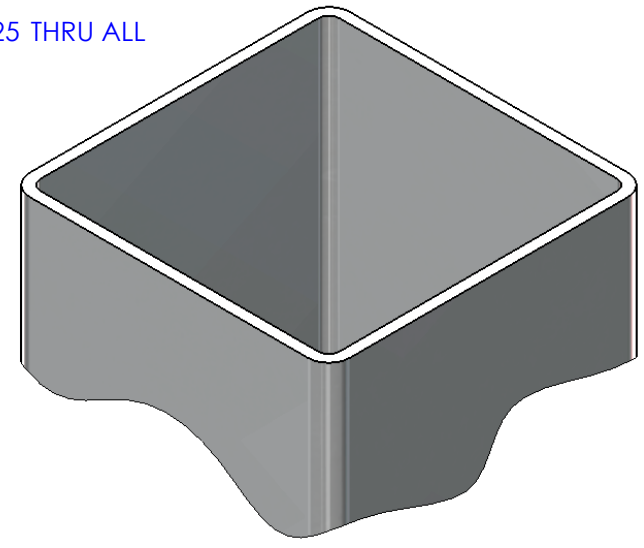
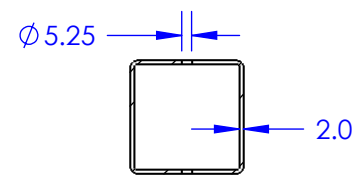


DETAIL A
SCALE 1 : 4



SECTION B-B
SCALE 1 : 4

PROPRIETARY AND CONFIDENTIAL
THE INFORMATION CONTAINED IN THIS DRAWING IS THE SOLE PROPERTY OF STAINLESS CABLE & RAILING, INC. ANY REPRODUCTION IN PART OR AS A WHOLE WITHOUT THE WRITTEN PERMISSION OF STAINLESS CABLE & RAILING, INC. IS PROHIBITED.

		UNLESS OTHERWISE SPECIFIED: DIMENSIONS ARE IN Millimeters	NAME	DATE
		TOLERANCES: x = 0.1 x.x = 0.1 x.xx = 0.01 x.xxx = 0.005	GM	
		INTERPRET GEOMETRIC TOLERANCING PER:		
		MATERIAL 316 SS		
		FINISH		
NEXT ASSY	USED ON		COMMENTS:	
APPLICATION		DO NOT SCALE DRAWING		

Stainless Cable & Railing, Inc. 888-686-7245 (RAIL)		
TITLE: Square Tube Deck-Mount 36" Intermediate Post		
SIZE A	DWG. NO. 06-002-01x35.75-D1	REV A
SCALE: 1:20	WEIGHT:	SHEET 1 OF 1