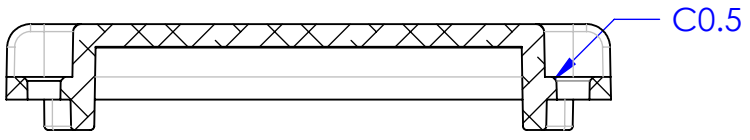
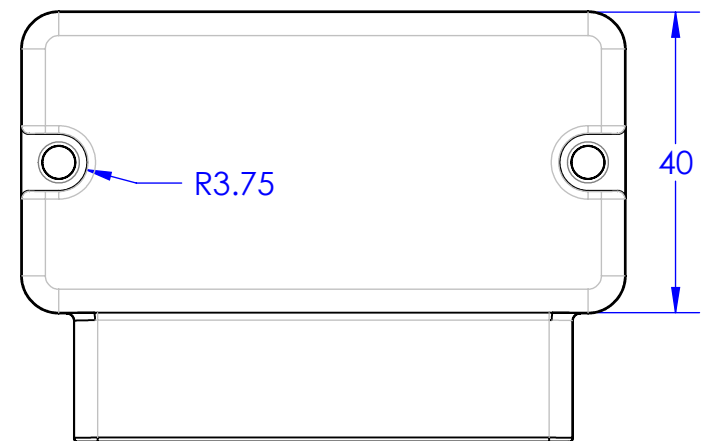
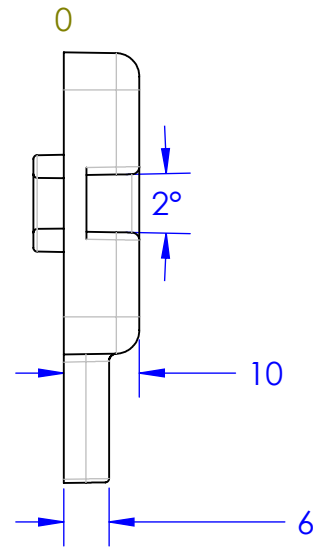
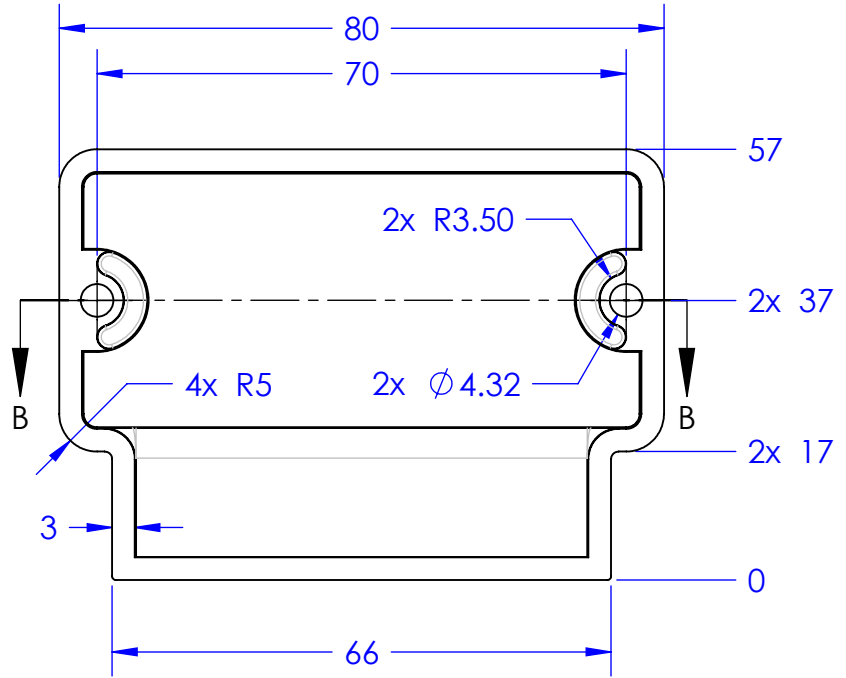
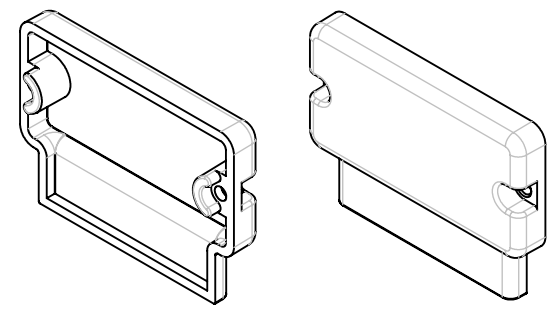


10-500-00  
DWG. NO.



SECTION B-B



NOTE: General Wall Thickness: 3mm

**PROPRIETARY AND CONFIDENTIAL**  
THE INFORMATION CONTAINED IN THIS DRAWING IS THE SOLE PROPERTY OF STAINLESS CABLE & RAILING, INC. ANY REPRODUCTION IN PART OR AS A WHOLE WITHOUT THE WRITTEN PERMISSION OF STAINLESS CABLE & RAILING, INC. IS PROHIBITED.

		UNLESS OTHERWISE SPECIFIED: DIMENSIONS ARE IN Millimeters		NAME	DATE
		TOLERANCES: x = 0.1 x.x = 0.1 x.xx = 0.01 x.xxx = 0.005		GM	05/04/08
		INTERPRET GEOMETRIC TOLERANCING PER:		CHECKED	
		MATERIAL 6082 T6 Alu		ENG APPR.	
		FINISH Powdercoat		MFG APPR.	
NEXT ASSY		USED ON		Q.A.	
APPLICATION		DO NOT SCALE DRAWING		COMMENTS: Powdercoating to meet or exceed AAMA2604 Salt Spray Resistance	

Stainless Cable & Railing, Inc. 888-686-7245 (RAIL)		
TITLE: <b>End Cap - Plain</b>		
SIZE <b>A</b>	DWG. NO. <b>03-005-01</b>	REV <b>PR2</b>
SCALE: 1:1	WEIGHT:	SHEET 1 OF 1