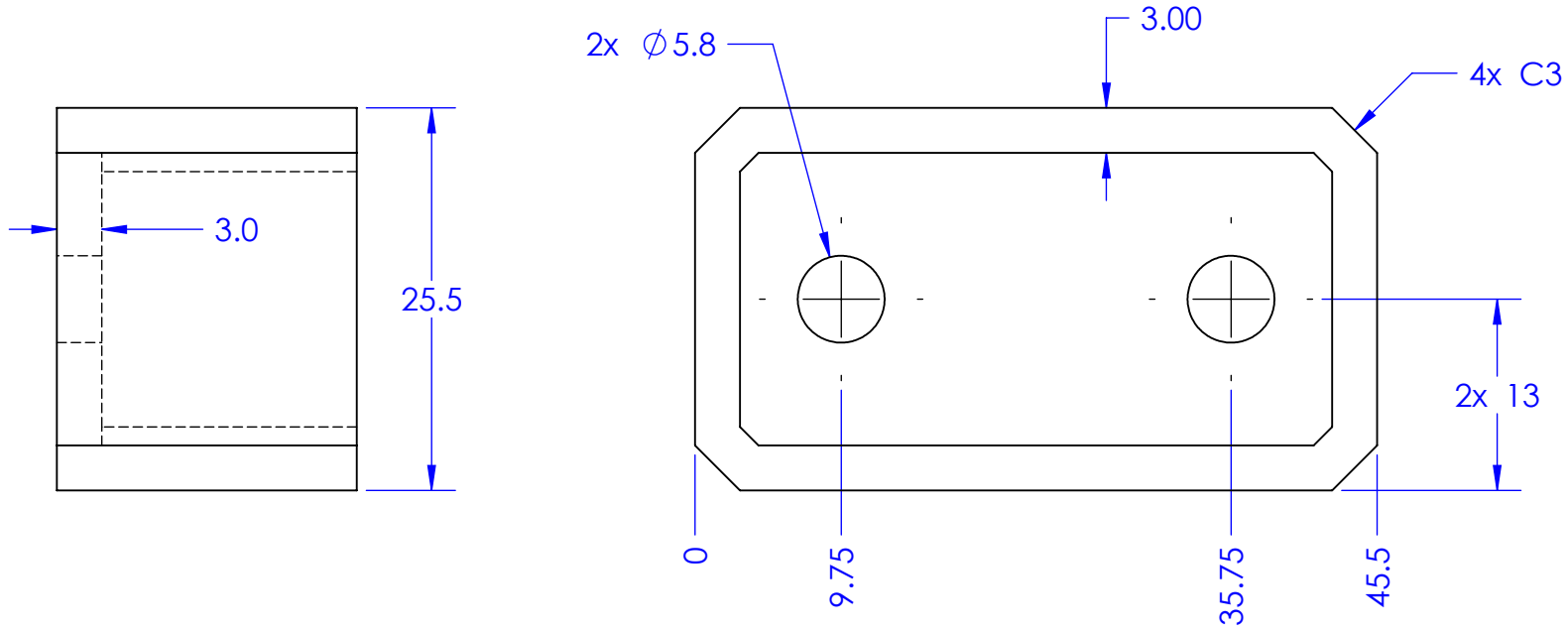
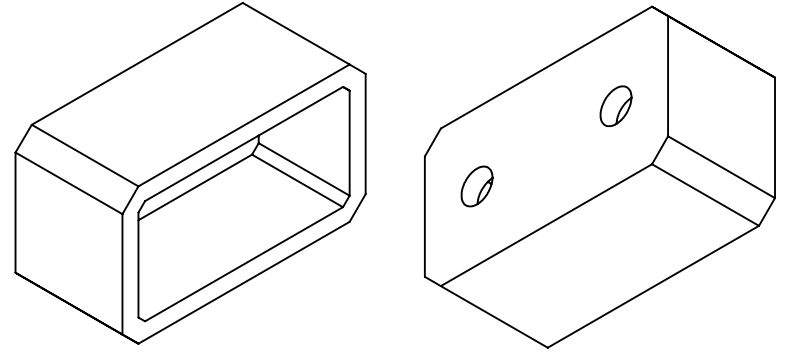


10-110-00

DWG. NO.



PROPRIETARY AND CONFIDENTIAL
 THE INFORMATION CONTAINED IN THIS DRAWING IS THE SOLE PROPERTY OF STAINLESS CABLE & RAILING, INC. ANY REPRODUCTION IN PART OR AS A WHOLE WITHOUT THE WRITTEN PERMISSION OF STAINLESS CABLE & RAILING, INC. IS PROHIBITED.

		UNLESS OTHERWISE SPECIFIED:		NAME	DATE
		DIMENSIONS ARE IN Millimeters	DRAWN	GM	05/05/08
		TOLERANCES: x = 0.1 x.x = 0.1 x.xx = 0.01 x.xxx = 0.005	CHECKED		
		INTERPRET GEOMETRIC TOLERANCING PER:	ENG APPR.		
		MATERIAL 6082 T6 Alu	MFG APPR.		
		FINISH MILL	Q.A.		
NEXT ASSY	USED ON		COMMENTS:		
APPLICATION		DO NOT SCALE DRAWING			

Stainless Cable & Railing, Inc. 888-686-7245 (RAIL)		
TITLE: Mounting Bracket		
SIZE A	DWG. NO. 03-011-01	REV PR2
SCALE: 2:1	WEIGHT:	SHEET 1 OF 1