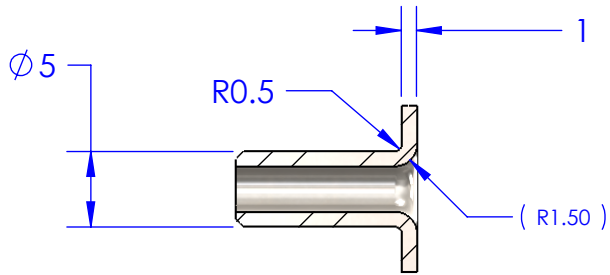
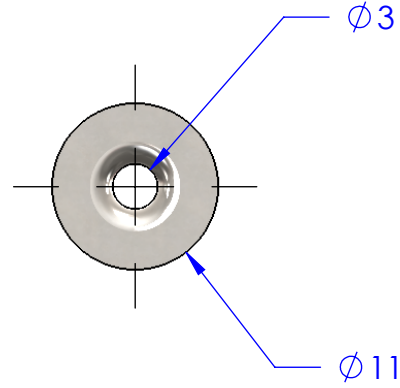
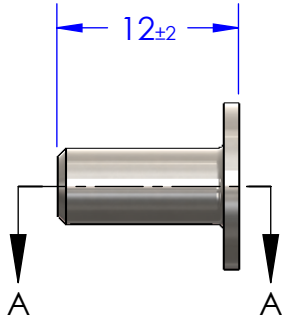
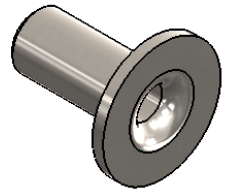


10-030-10

DWG. NO.



SECTION A-A

**PROPRIETARY AND CONFIDENTIAL**  
 THE INFORMATION CONTAINED IN THIS DRAWING IS THE SOLE PROPERTY OF STAINLESS CABLE & RAILING, INC. ANY REPRODUCTION IN PART OR AS A WHOLE WITHOUT THE WRITTEN PERMISSION OF STAINLESS CABLE & RAILING, INC. IS PROHIBITED.

		UNLESS OTHERWISE SPECIFIED: DIMENSIONS ARE IN Millimeters	NAME	DATE
			DRAWN	GM
		<b>TOLERANCES:</b> x = 0.5 x.x = 0.1 x.xx = 0.01 x.xxx = 0.005	CHECKED	
			ENG APPR.	
			MFG APPR.	
		INTERPRET GEOMETRIC TOLERANCING PER:	Q.A.	
		MATERIAL	COMMENTS:	
		316 Stainless		
NEXT ASSY	USED ON	FINISH		
APPLICATION		DO NOT SCALE DRAWING		

Stainless Cable & Railing, Inc. 888-686-7245 (RAIL)		
TITLE:  <b>Anti-Bite Shim</b>		
SIZE	DWG. NO.	REV
<b>A</b>	<b>01-030-01</b>	<b>A</b>
SCALE: 2:1	WEIGHT:	SHEET 1 OF 1

5

4

3

2

1