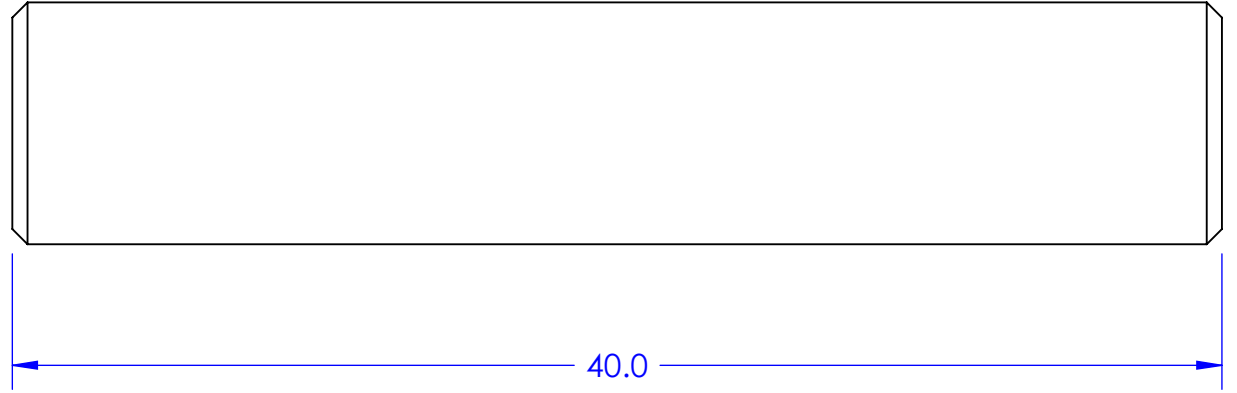
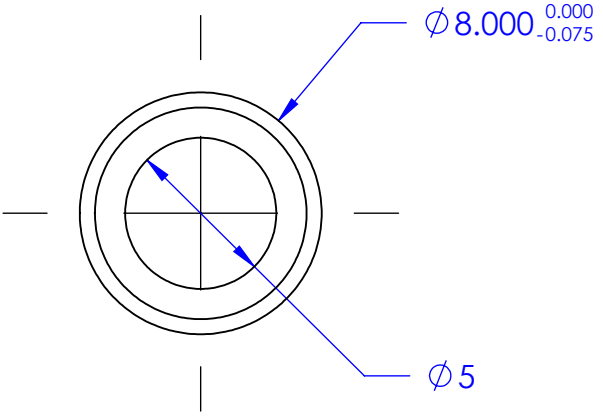
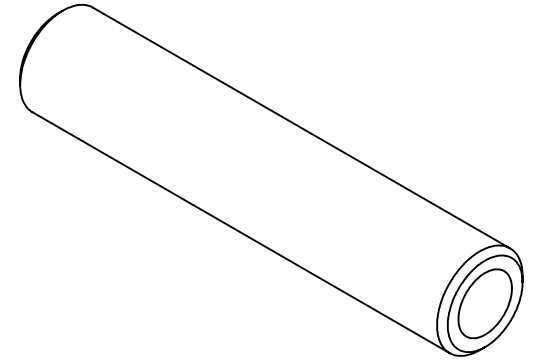


10-500-70

DWG. NO.



PROPRIETARY AND CONFIDENTIAL
 THE INFORMATION CONTAINED IN THIS DRAWING IS THE SOLE PROPERTY OF STAINLESS CABLE & RAILING, INC. ANY REPRODUCTION IN PART OR AS A WHOLE WITHOUT THE WRITTEN PERMISSION OF STAINLESS CABLE & RAILING, INC. IS PROHIBITED.

		UNLESS OTHERWISE SPECIFIED:	NAME	DATE
		DIMENSIONS ARE IN Millimeters	DRAWN	GM 03/28/08
		TOLERANCES: x = 0.1 x.x = 0.1 x.xx = 0.01 x.xxx = 0.005	CHECKED	
		INTERPRET GEOMETRIC TOLERANCING PER:	ENG APPR.	
		MATERIAL 316 Stainless	MFG APPR.	
		FINISH	Q.A.	
			COMMENTS:	
NEXT ASSY	USED ON			
APPLICATION		DO NOT SCALE DRAWING		

Stainless Cable & Railing, Inc. 888-686-7245 (RAIL)		
TITLE:		
<h1>Swage Ferrule</h1>		
SIZE	DWG. NO.	REV
A	02-005-01	PR1
SCALE: 4:1	WEIGHT:	SHEET 1 OF 1