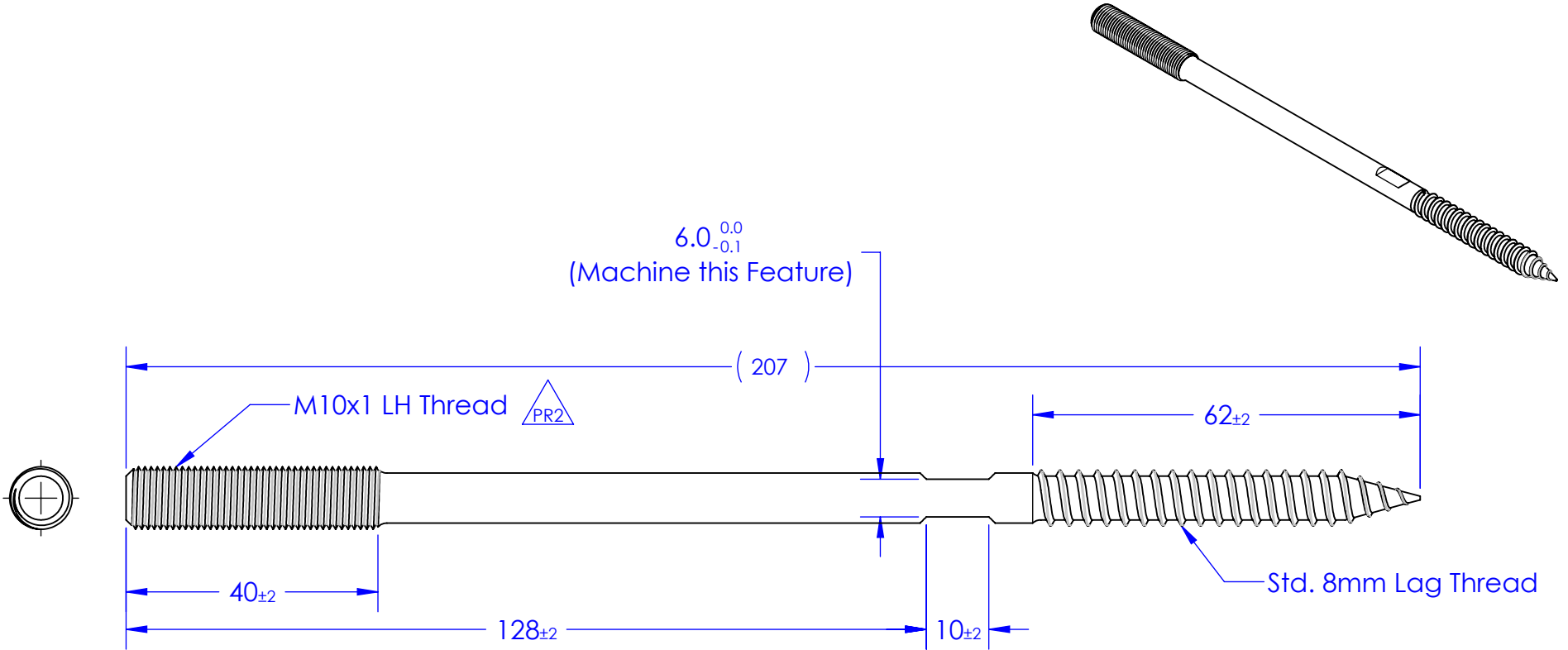


10-004-01

DWG. NO.

REVISIONS				
ZONE	REV.	DESCRIPTION	DATE	APPROVED
	PR1	PRE-RELEASE	08/09/08	
	PR2	REVERSE 10 x 1 THREAD	10/13/2008	ER



PROPRIETARY AND CONFIDENTIAL
 THE INFORMATION CONTAINED IN THIS DRAWING IS THE SOLE PROPERTY OF **STAINLESS CABLE & RAILING, INC.** ANY REPRODUCTION IN PART OR AS A WHOLE WITHOUT THE WRITTEN PERMISSION OF **STAINLESS CABLE & RAILING, INC.** IS PROHIBITED.

		UNLESS OTHERWISE SPECIFIED: DIMENSIONS ARE IN Millimeters	NAME	DATE
		TOLERANCES: x = 0.5 x.x = 0.1 x.xx = 0.01 x.xxx = 0.005	GM	03/16/08
		INTERPRET GEOMETRIC TOLERANCING PER:		
		MATERIAL 316 Stainless		
		FINISH		
NEXT ASSY	USED ON		COMMENTS:	
APPLICATION		DO NOT SCALE DRAWING		

Stainless Cable & Railing, Inc. 888-686-7245 (RAIL)		
TITLE: <h1>Lag Tensioner</h1>		
SIZE	DWG. NO.	REV
A	01-004-01	PR2
SCALE: 1:1	WEIGHT:	SHEET 1 OF 1

5

4

3

2

1