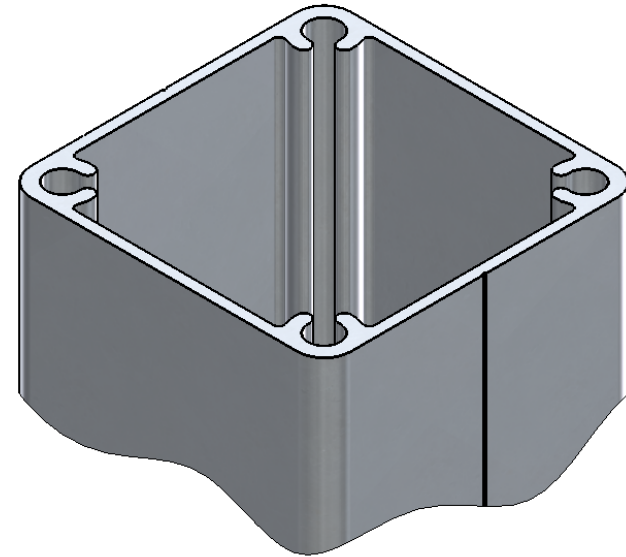


13X Ø 6.00[0.236] THRU ALL

DETAIL B
SCALE 1 : 4



Mass = 1.06 pounds/foot
Perimeter = 9.133 inches
All other measurements
METRIC [ENGLISH]

PROPRIETARY AND CONFIDENTIAL
THE INFORMATION CONTAINED IN THIS DRAWING IS THE SOLE PROPERTY OF STAINLESS CABLE & RAILING, INC. ANY REPRODUCTION IN PART OR AS A WHOLE WITHOUT THE WRITTEN PERMISSION OF STAINLESS CABLE & RAILING, INC. IS PROHIBITED.

		UNLESS OTHERWISE SPECIFIED:		NAME	DATE	Stainless Cable & Railing, Inc.	
		DIMENSIONS ARE IN Millimeters		DRAWN	GM	04/30/08	888-686-7245 (RAIL)
		TOLERANCES: x = 0.1 x.x = 0.1 x.xx = 0.01 x.xxx = 0.005		CHECKED			TITLE: Deck-Mount Intermediate Post
		INTERPRET GEOMETRIC TOLERANCING PER:		ENG APPR.			
		MATERIAL 6063-T5 AL		MFG APPR.			
NEXT ASSY	USED ON	FINISH Powdercoat		Q.A.			
APPLICATION		DO NOT SCALE DRAWING		COMMENTS: Powdercoating to meet or exceed AAMA2604 Salt Spray Resistance		SIZE A	DWG. NO. 03-001-02x42-D1
						REV PR1	
				SCALE: 1:16		WEIGHT:	SHEET 1 OF 1